



Hygienic Food Processing

FLEXIBLE IMPELLER & ROTARY LOBE PUMPS



a xylem brand



FOOD PROCESSING



GENTLE PUMPING ACTION

The minimal meshing action and low speed capability of the Jabsco flexible impeller pumps allows both viscous fluids and solid particles to pass through without damage. Typical examples currently in use are cream fillings, which become easily emulsified, and jams and pie fillings which contain fruit pieces, both of which are handled with ease by the FIP.



INSTALLATION BENEFITS

Jasbco flexible impeller pumps offer a high priming ability which allows the pump to be installed in the most convenient position making plant installation easier. This means they can be mounted off the floor where there are safety issues to be considered, such as the possibility of tripping over the pump or pipe work or risk of damage by passing delivery vehicles. Another consideration is the configuration of the liquid reservoir itself. If this is owned by an external supplier, such as a drum or similar bulk delivery container, it might not have the appropriate bottom-outlet flange or valve. Some vessels such as rubber-lined tanks do not lend themselves to a bottom-outlet; here the FIP can be connected by a simple flexible hose through the top opening. Alternatively, the tank may itself be mounted at or even below floor level, precluding a flooded-suction.

EASE OF MAINTENANCE

Thoughtful positioning of a pump greatly simplifies maintenance. A Jasbco flexible impeller pump mounted above the liquid level can be purged so the maintenance technician will not be presented with a pipe and pump full of fluid that could spill even when the end cover is removed. More importantly, the fact that there is only one moving part, the flexible impeller, the pumps are very easy to strip down and maintain, so process down time is minimal.

Discover one of the Best Kept Secrets in the Processing Industry

For many in the food industry, pumping delicate, viscous fluids and products that contain solids in suspension has been a daily challenge. There are many types of pumps on the market; however the effects on product quality can be disastrous if the wrong type of pump is installed in the process.

The secret to successfully handling these important products comes from a technology which was first introduced by Jabsco over 60 years ago. The Flexible Impeller Pump (FIP) offers significant benefits when compared to other pump types for the pumping of viscous foodstuffs and other fluids that contain fragile solids.

Despite these advantages, the Jabsco FIP has remained one of the best kept secrets in the processing industry and now is the time to allow customers the chance to experience what Jabsco has known for over half a century.

ROBUST DESIGN

316 SS wetted parts are standard on the Jabsco FIP for food processing pumps, coupled with high grade flexible impellers, mechanical seals, and extremely robust drive systems ensure the longevity of these pumps in the factory environment. Jabsco pumps are regarded by industry as the best of their type in the market.

CLEANABILITY

Jasbco pumps can be easily stripped down for cleaning and hygienic versions can readily withstand cleaning in place (CIP) procedures. Their design ensures cleaning fluids reach all areas of the pump during this process and have passed the latest 02-10 standards of the 3A Sanitary Standards Administrative Council in the USA.



APPLICATIONS

Sanitary flexible impeller pumps are especially useful where self-priming is required and are also effective in pumping viscous or air-entrained food, cosmetic and pharmaceutical products. At lower speeds, they also handle delicate liquids very well owing to their gentle pumping action. Virtually any liquid with viscosity up to 20,000 cps can be pumped as long as there is chemical compatibility with the pump materials.

USED IN PRODUCT AND PROCESSING OF:

- Foods, sauces, doughs, preserves, liquid egg and meat pastes
- Dairy products, milk, cream, yogurt and cheeses
- Wines, beers, soft drinks, fruit juices and syrups

ESPECIALLY SUITED FOR:

- Ingredients unloading and transfer
- Tank filling and emptying
- Recirculation and mixing
- Portion and container filling
- Sampling, filtration and more
- Brine Injection

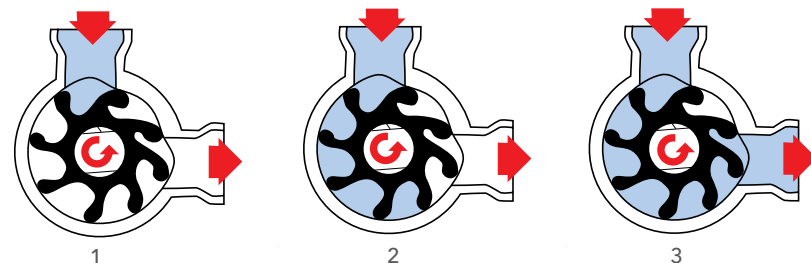
PRODUCT RANGE SPECIFICATIONS

| Pump Model (US) | 282x0 (30550) | | 283x0 (30560) | | 284x0 (30570) | | 285x0 (30580) | | |
|-----------------------|-------------------|--------------|---------------|-------------|---------------|--------------|---------------|-------------|--------------|
| Size | 40 | | 80 | | 200 | | 370 | | |
| Mounting | Pedestal | Head Kit | Pedestal | Head Kit | Pedestal | Head Kit | Pedestal | Head Kit | |
| | | | | | | | | | |
| Port Size | (mm) | 25 | 25 | 25 | 25 | 38 | 38 | 50 | 50 |
| | (inch) | 1 | 1 | 1 | 1 | 1-1/2 | 1-1/2 | 2 | 2 |
| Max Flow (per min)* | (litre) | 58 | 58 | 128 | 128 | 225 | 225 | 365 | 365 |
| | (US gal) | 15.3 | 15.3 | 33.8 | 33.8 | 59.5 | 59.5 | 96 | 96 |
| Max Pressure* | (bar) | 3 | 3 | 4.5 | 4.5 | 4.5 | 4.5 | 3 | 3 |
| | (psi) | 45 | 45 | 65 | 6.5 | 65 | 65 | 45 | 45 |
| Max Speed (RPM) | | 2500 | 2500 | 2500 | 2500 | 1800 | 1800 | 1500 | 1500 |
| Size LxBxH | (mm) | 169x115x147 | 115x115x115 | 214x130x160 | 136x130x130 | 260x162x180 | 167x162x162 | 331x186x218 | 193x186x186 |
| | (inc ports)(inch) | 6.5x4.5x5.75 | 4.5x4.5x4.5 | 8.5x5x6.25 | 5.25x5x5 | 10.25x6.25x7 | 6.5x6.25x6.25 | 13x7.25x8.5 | 7.5x7.25x8.5 |
| Bareshaft Weight | (kg) | 2.9 | 2.5 | 4.4 | 3.5 | 9.1 | 6.6 | 14.7 | 10 |
| | (lbs) | 6.4 | 5.5 | 9.7 | 7.7 | 20 | 14.5 | 32 | 22 |
| Temp Neoprene °C (°F) | | 65 (149) | 65 (149) | 65 (149) | 65 (149) | 65 (149) | 65 (149) | 65 (149) | 65 (149) |
| Temp EPDM °C (°F) | | 120 (248) | 120 (248) | 120 (248) | 120 (248) | 120 (248) | 120 (248) | 120 (248) | 120 (248) |
| Viscosity (cP) | | 1 to 20,000 | | | | | | | |

PUMP PRINCIPLE

On start-up, air in the inlet pipe is displaced and liquid is drawn into pump (1) then carried through (2) to be discharged at a steady flow rate (3).

This action combines gentle pumping with true dry priming capability.



FLEXIBLE IMPELLER HYGIENIC POSITIVE DISPLACEMENT PUMPS

Jabsco Hygienic Flexible Impeller Pumps handle low and high-viscosity liquids, gels and pastes and can pass suspended soft and hard solids with minimal damage. The output flow is smooth, steady and totally pulsation-free and their gentle pumping action will not break down shear-sensitive or fragile liquids. Designed to be cleaned in place or easily strip-cleaned, Jabsco flexible impeller pumps frequently offer a more suitable and cost-effective alternative to many other pump types.



PEDESTAL PUMPS

FEATURES & OPTIONS

PEDESTAL PUMPS

- Foot-mounted to couple to gearbox or belt-drive
- Hygienic rubber impeller
- Long-life mechanical shaft seal
- All 316 grade Stainless Steel parts with high surface finish
- Used in Food, Dairy, Beverage, Healthcare & Cosmetics sectors

MOTOR MOUNTED PUMPS

- Used in Food, Dairy, Beverage, Healthcare & Cosmetics sectors
- Close-coupled to motor (unibloc); compact and economical
- Suitable for mounting onto standard IEC or NEMA motors
- Hygienic rubber impeller
- Long-life mechanical shaft seal
- All 316 grade Stainless Steel parts with high surface finish



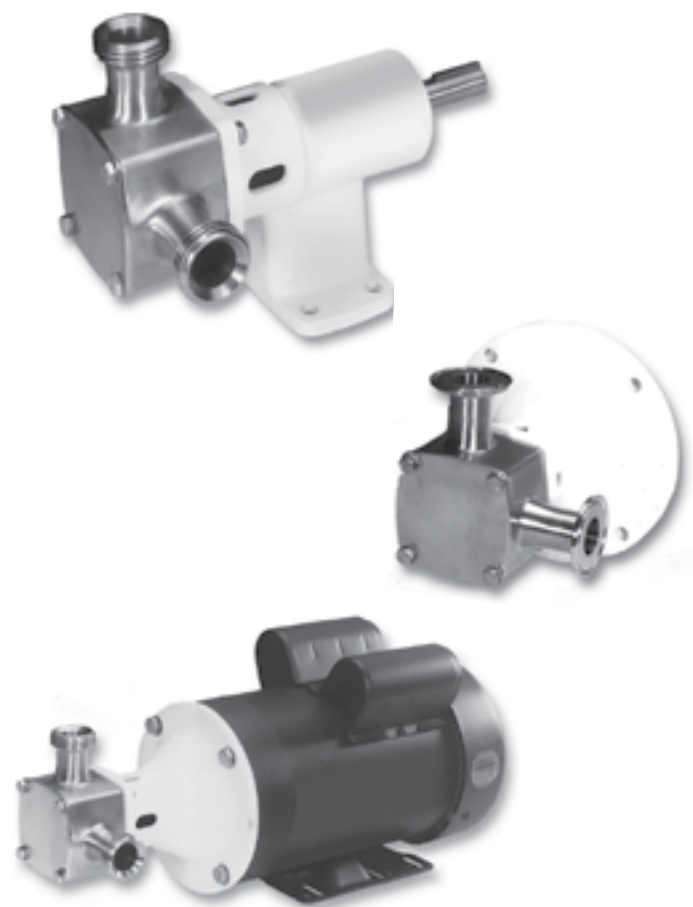
MOTOR MOUNTED PUMPS

DESIGN FEATURES

- Dry self-priming
- All 316 Stainless Steel parts with high surface finish
- Hygienic rubber impeller leaves no taste or odor
- Elastomers Certified to US 3A Standard 18-03
- Pump certified to US 3A Standard 02-10
- Long-life mechanical shaft seal
- Easy strip-to-clean
- USDA Approved
- Variety of port and impeller material options
- Chemical-resistant 316 Stainless Steel parts
- Rugged heavy-duty construction
- Replaceable wearplates
- Passes even hard metal particles without stalling
- Long-life mechanical shaft seal
- Variety of shaft seal options
- 3A Variants - Must be specified with HYG Neoprene or EPDM.
- Port Options - Tri-Clamp, IDF, 3A, DIN 11851



30560 SERIES | PEDESTAL & MOTOR MOUNT PUMPS



FEATURES

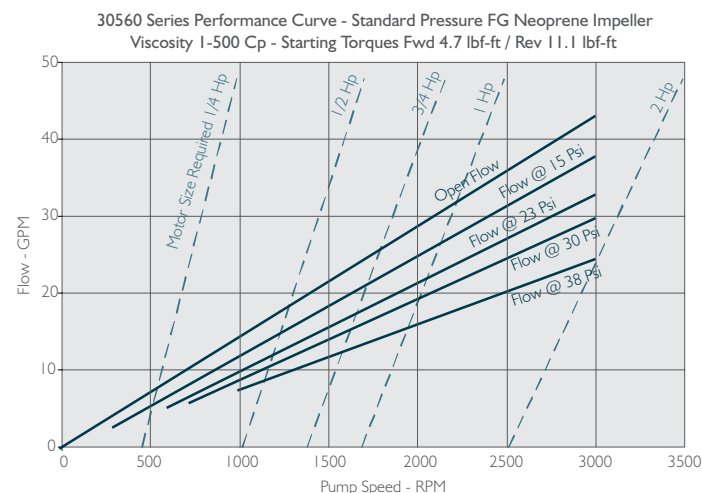
- Flow rate: Nominal 21.5 US gallons/min (81 Litres/min) at 1750rpm
- Self-priming from dry up to 2.4m (7.8ft)
- Pressure up to 4 bar
- Handles soft solids - max. 12mm diameter
- Certified to US 3A Standard 02-10
- Clean-In-Place (CIP) or easy strip clean
- Handles viscosities up to 20,000 centiPoise
- Minimal shear to thixotropic fluids
- Easy to service and maintain

SPECIFICATIONS

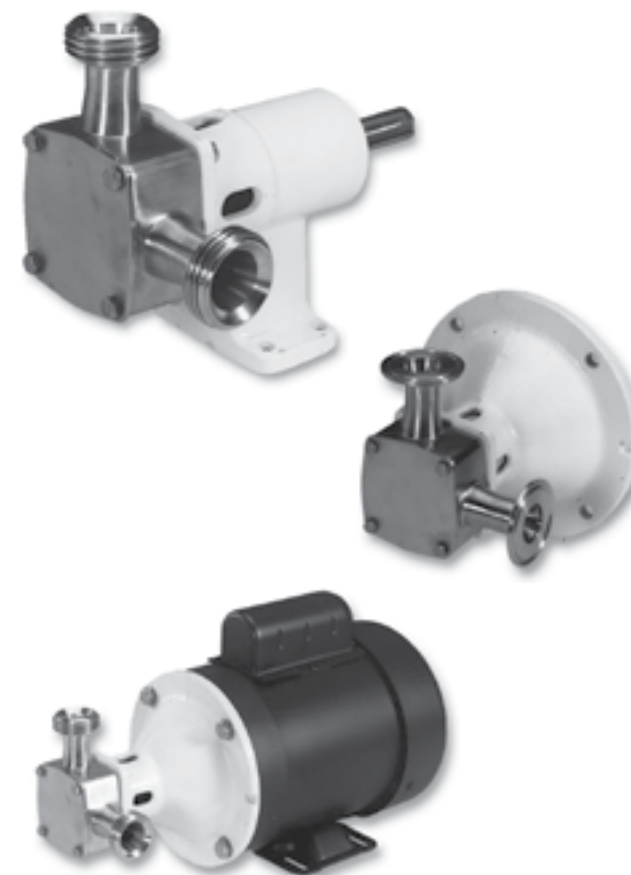
| | |
|------------|--|
| Pump Type | Pedestal Pump, Pump Head, Close Coupled |
| Body | 316 Stainless Steel |
| Impeller | Neoprene or EPDM |
| Shaft Seal | Mechanical; Carbon-on-Ceramic or Tungsten Carbide; Nitrile |
| Ports | 1" ACME Threads with Bevel Seat or Clamp Type |
| Shaft | 316 Stainless Steel |
| Shaft | 316 Stainless Steel Motor |
| Motor | 115/230 Vac, Single Phase, 60Hz, 1-1/2 HP, H145 TC Frame, C-Face, 1740 RPM, TEFC, Overload Protected, Capacitor Start. |
| Weight | 8.5 lb. (3.9 kg) Approx. Pedestal |
| Weight | 12.0 lb. (5.5 kg) Approx. Pump Head |
| Weight | 56.0 lb. (25.4 kg) Approx. Close Coupled |

MODELS

| MODEL#S | CE | VOLTAGE | IMPELLER | STYLE |
|------------|-----|-------------|-------------------|--------------------|
| 30560-0005 | Yes | N/A | Sanitary Neoprene | Pedestal Stainless |
| 30560-0015 | Yes | N/A | Sanitary Neoprene | Pedestal Stainless |
| 30560-0105 | Yes | N/A | Sanitary Neoprene | Pedestal Stainless |
| 30560-0115 | Yes | N/A | Sanitary Neoprene | Pedestal Stainless |
| 30560-1005 | Yes | N/A | Sanitary Neoprene | Pedestal Stainless |
| 30560-1015 | Yes | N/A | Sanitary Neoprene | Pedestal Stainless |
| 30560-1105 | Yes | N/A | Sanitary Neoprene | Pedestal Stainless |
| 30560-1115 | Yes | N/A | Sanitary Neoprene | Pedestal Stainless |
| 30560-2005 | No | 115/230 VAC | Sanitary Neoprene | MPU Stainless |
| 30560-2105 | No | 115/230 VAC | Sanitary Neoprene | MPU Stainless |
| 30560-3005 | No | 115/230 VAC | Sanitary Neoprene | MPU Stainless |
| 30560-3105 | No | 115/230 VAC | Sanitary Neoprene | MPU Stainless |
| 30560-4005 | No | 115/230 VAC | Sanitary Neoprene | MPU Stainless |
| 30560-4105 | No | 115/230 VAC | Sanitary Neoprene | MPU Stainless |
| 30560-5005 | No | 115/230 VAC | Sanitary Neoprene | MPU Stainless |
| 30560-5105 | No | 115/230 VAC | Sanitary Neoprene | MPU Stainless |



30550 SERIES | PEDESTAL & MOTOR MOUNT PUMPS



FEATURES

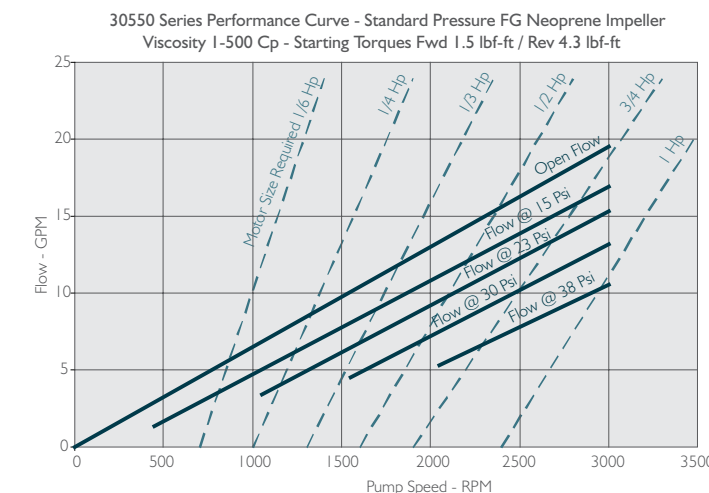
- Flow rate: Nominal 10.5 US gallons/min (40 Litres/min) at 1750rpm
- Self-priming from dry up to 2.4m (7.8ft)
- Pressure up to 4 bar
- Handles soft solids - max. 8mm diameter
- Certified to US 3A Standard 02-10
- Clean-In-Place (CIP) or easy strip clean
- Handles viscosities up to 20,000 centiPoise
- Minimal shear to thixotropic fluids
- Easy to service and maintain

SPECIFICATIONS

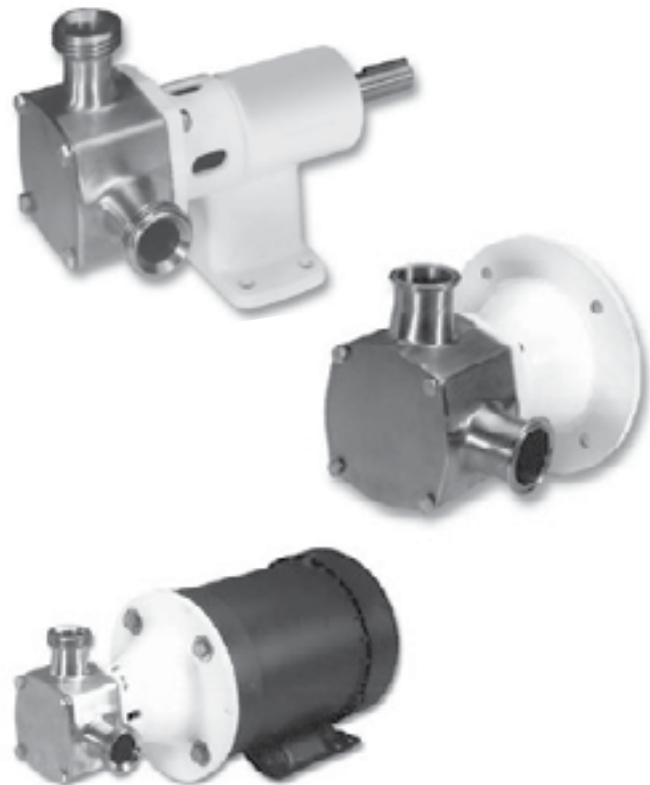
| | |
|------------|--|
| Pump Type | Pedestal Pump, Pump Head, Close Coupled |
| Body | 316 Stainless Steel |
| Impeller | Neoprene or EPDM |
| Shaft Seal | Mechanical; Carbon-on-Ceramic or Tungsten Carbide; Nitrile |
| Ports | 1" ACME Threads with Bevel Seat or Clamp Type |
| Shaft | 316 Stainless Steel Pedestal |
| Shaft | 316 Stainless Steel Motor: Pump Head, Close Coupled |
| Motor | 115 Vac, Single Phase, 60Hz, 3/4 HP, 1750 RPM, TEFC, C-Face, 56C Frame |
| Weight | 5.5 lb. (2.5 kg) Approx. Pedestal Pump |
| Weight | 7.5 lb. (3.4 kg) Approx. Pump Head |
| Weight | 36.0 lb. (16.3 kg) Approx. Close Coupled |

MODELS

| MODEL#S | CE | VOLTAGE | IMPELLER | STYLE |
|------------|-----|---------|-------------------|--------------------|
| 30550-0005 | Yes | N/A | Sanitary Neoprene | Pedestal Stainless |
| 30550-0015 | Yes | N/A | Sanitary Neoprene | Pedestal Stainless |
| 30550-0105 | Yes | N/A | Sanitary Neoprene | Pedestal Stainless |
| 30550-0115 | Yes | N/A | Sanitary Neoprene | Pedestal Stainless |
| 30550-1005 | Yes | N/A | Sanitary Neoprene | Pedestal Stainless |
| 30550-1015 | Yes | N/A | Sanitary Neoprene | Pedestal Stainless |
| 30550-1105 | Yes | N/A | Sanitary Neoprene | Pedestal Stainless |
| 30550-1115 | Yes | N/A | Sanitary Neoprene | Pedestal Stainless |
| 30550-2005 | No | 115 VAC | Sanitary Neoprene | MPU Stainless |
| 30550-2105 | No | 115 VAC | Sanitary Neoprene | MPU Stainless |
| 30550-3005 | No | 115 VAC | Sanitary Neoprene | MPU Stainless |
| 30550-3105 | No | 115 VAC | Sanitary Neoprene | MPU Stainless |
| 30550-4005 | No | 115 VAC | Sanitary Neoprene | MPU Stainless |
| 30550-4105 | No | 115 VAC | Sanitary Neoprene | MPU Stainless |
| 30550-5005 | No | 115 VAC | Sanitary Neoprene | MPU Stainless |
| 30550-5105 | No | 115 VAC | Sanitary Neoprene | MPU Stainless |



30570 SERIES | PEDESTAL & MOTOR MOUNT PUMPS



FEATURES

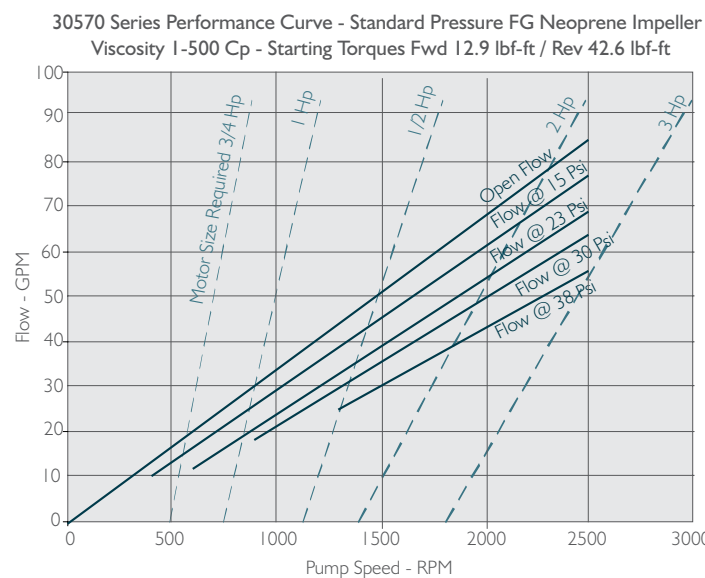
- Flow rate: Nominal 51 US gallons/min (193 Litres/min) at 1750 rpm
- Self-priming from dry up to 2.4m (7.8ft)
- Pressure up to 4 bar
- Handles soft solids - max. 16mm diameter
- Certified to US 3A Standard 02-09
- Clean-In-Place (CIP) or easy strip clean
- Handles viscosities up to 20,000 centiPoise
- Minimal shear to thixotropic fluids
- Easy to service and maintain

SPECIFICATIONS

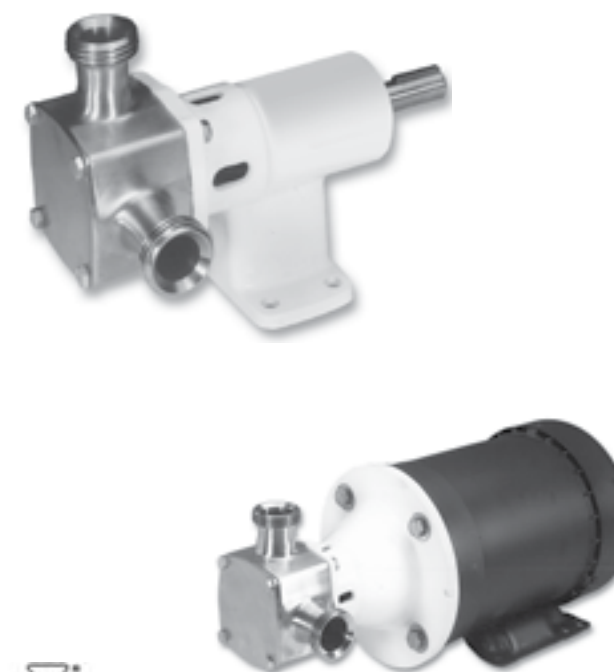
| | |
|------------|---|
| Pump Type | Pedestal Pump, Pump Head, Close Coupled |
| Body | 316 Stainless Steel |
| Impeller | Neoprene or EPDM |
| Shaft Seal | Mechanical; Carbon-on-Ceramic or Tungsten Carbide; Nitrile |
| Ports | 1-1/2" ACME Threads with Bevel Seat or Clamp Type |
| Shaft | 316 Stainless Steel |
| Shaft | 316 Stainless Steel Motor |
| Motor | 230/460 Vac, 3 Phase, 60Hz, 5 HP 1750 RPM, TEFC, C-Face, 184 TC Frame |
| Weight | 21.0 lb. (9.5 kg) Approx. Pedestal |
| Weight | 30.0 lb. (18.6 kg) Approx Pump Head |
| Weight | 93.5 lb. (42.5 kg) Approx. Close Coupled |

MODELS

| MODEL #S | CE | VOLTAGE | IMPELLER | STYLE |
|------------|-----|-------------|-------------------|--------------------|
| 30570-0005 | Yes | N/A | Sanitary Neoprene | Pedestal Stainless |
| 30570-0015 | Yes | N/A | Sanitary Neoprene | Pedestal Stainless |
| 30570-0105 | Yes | N/A | Sanitary Neoprene | Pedestal Stainless |
| 30570-0115 | Yes | N/A | Sanitary Neoprene | Pedestal Stainless |
| 30570-1005 | Yes | N/A | Sanitary Neoprene | Pedestal Stainless |
| 30570-1015 | Yes | N/A | Sanitary Neoprene | Pedestal Stainless |
| 30570-1105 | Yes | N/A | Sanitary Neoprene | Pedestal Stainless |
| 30570-1115 | Yes | N/A | Sanitary Neoprene | Pedestal Stainless |
| 30570-4005 | No | 115/230 VAC | Sanitary Neoprene | MPU Stainless |
| 30570-4105 | No | 115/230 VAC | Sanitary Neoprene | MPU Stainless |
| 30570-5005 | No | 115/230 VAC | Sanitary Neoprene | MPU Stainless |
| 30570-5105 | No | 115/230 VAC | Sanitary Neoprene | MPU Stainless |
| 30570-2005 | No | 115/230 VAC | Sanitary Neoprene | MPU Stainless |
| 30570-2105 | No | 115/230 VAC | Sanitary Neoprene | MPU Stainless |
| 30570-3005 | No | 115/230 VAC | Sanitary Neoprene | MPU Stainless |
| 30570-3105 | No | 115/230 VAC | Sanitary Neoprene | MPU Stainless |



SERIES 30580 | PEDESTAL & MOTOR MOUNT PUMPS



FEATURES

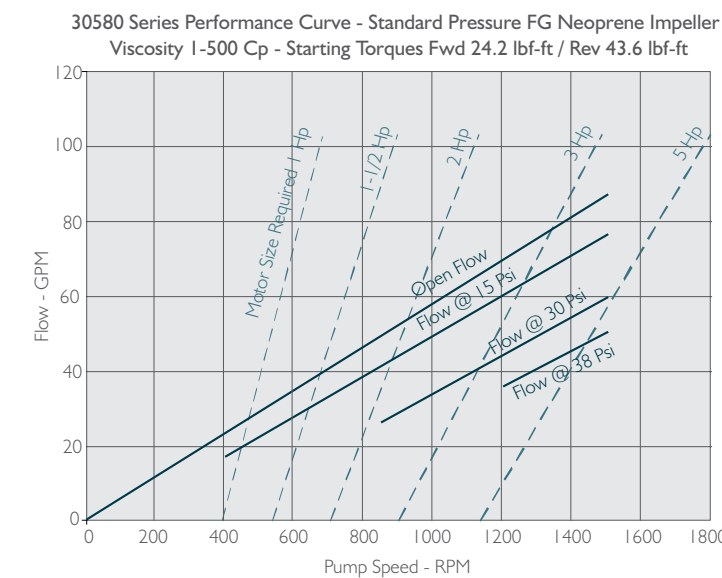
- Flow rate: Nominal 105 US gallons/min (397 Litres/min) at 1750rpm
- Self-priming from dry up to 2.4m (7.8ft)
- Pressure up to 4 bar
- Handles soft solids - max. 18mm diameter
- Certified to US 3A Standard 02-10
- Clean-In-Place (CIP) or easy strip clean
- Handles viscosities up to 50,000 centiPoise
- Minimal shear to thixotropic fluids
- Easy to service and maintain

SPECIFICATIONS

| | |
|------------|--|
| Pump Type | Pedestal Pump |
| Body | 316 Stainless Steel |
| Impeller | Neoprene or EPDM |
| Shaft Seal | Mechanical; Carbon-on-Ceramic or Tungsten Carbide; Nitrile |
| Ports | 2" ACME Threads with Bevel Seat or Clamp Type |
| Shaft | 316 Stainless Steel |
| Weight | 31.0 lb. (14.1 kg) Approx. |

MODELS

| MODEL #S | CE | VOLTAGE | IMPELLER | STYLE |
|------------|-----|---------|-------------------|--------------------|
| 30580-0005 | Yes | N/A | Sanitary Neoprene | Pedestal Stainless |
| 30580-0015 | Yes | N/A | Sanitary Neoprene | Pedestal Stainless |
| 30580-0105 | Yes | N/A | Sanitary Neoprene | Pedestal Stainless |
| 30580-0115 | Yes | N/A | Sanitary Neoprene | Pedestal Stainless |
| 30580-1005 | Yes | N/A | Sanitary Neoprene | Pedestal Stainless |
| 30580-1015 | Yes | N/A | Sanitary Neoprene | Pedestal Stainless |
| 30580-1105 | Yes | N/A | Sanitary Neoprene | Pedestal Stainless |
| 30580-1115 | Yes | N/A | Sanitary Neoprene | Pedestal Stainless |



HY~LINE | SUPER HYGIENIC POSITIVE DISPLACEMENT PUMP

Jabsco's latest rotary positive displacement pump incorporates the very latest in hygienic design concepts in order to fulfill the ever increasing customer demands for improved cleanability, hygiene and sterilize ability. This 316 Stainless Steel design uses a bi-wing rotor, which encompasses the very best features of tri-lobe rotor pumps and circumferential piston pumps. The pump is built upon Jabsco's 40 year experience of producing and supplying their Flexible Impeller and 24 Series rotary lobe pumps to the world's most demanding markets.

DESIGN FEATURES

MOST STRINGENT HYGIENIC STANDARDS

Flush rotor fixing screws are sealed to prevent product ingress. Contoured rotor case internals for full drainability during SIP and shaft seals set up front where the pumping action is! Fully conforming to 3A 02-10 Hygienic Standards and utilizing materials which meet FDA requirements. Versions are available that have been tested and approved to the EHEDG (European Hygienic Equipment Design Group), CIP and SIP protocols and USDA, 3A certification.

LOW MAINTENANCE COSTS

Front loaded single shaft seals are fully accessible from the front of the pump without disturbing the process pipework. Simple bearing assemblies easily pre-set using automotive technology. Bi-wing rotors require no timing adjustments. Even the pump casing is removable, a feature not normally associated with other bi-wing rotor pumps.

HIGH VOLUMETRIC EFFICIENCY

The bi-wing rotors incorporate the low viscosity efficiency associated with circumferential piston pumps with the viscous product handling capability of tri-quad and bi-lobe rotor pumps at an affordable price.

RUGGED DESIGN

Hy-Line design utilizes extremely large shaft diameters mounted in high specification taper roller bearings, fitted into an extremely rigid central pillar made from a high grade alloy. This is all enclosed in an oil filled housing made from the same alloy. These, together with wide tipped rotor wings, which adds another dimension to security, avoid premature pump failure due to overpressure or other abuse.

CERTIFICATION

3.1B Material Certification package.
3-A Variants with Nitrile or EPDM elastomers and port options - Tri-clamp, IDF, 3A, DIN11851

CONNECTIONS

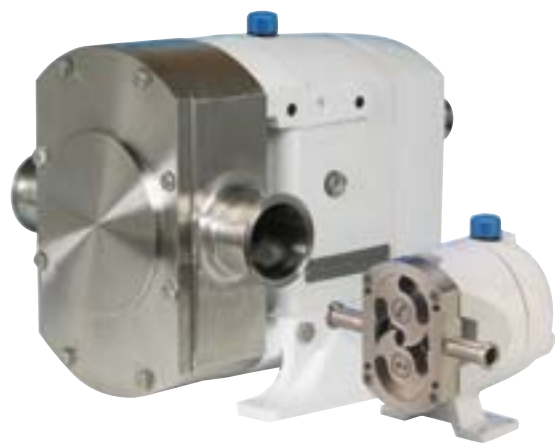
All US and European standards including DIN, SMS, RJT, IDF, Tri-Clamp & BSP. Most pumps available with 2 different sizes, all fully interchangeable. (Not on 3 & 7 size)

ELASTOMERS

Nitrile, Viton, EPDM and PTFE product contact joints available in compounds conforming to 3A Sanitary Standard 18-03 and FDA title 21 section 177.2600.

OTHER OPTIONS

- Pump Head temperature control jackets
- Integral pressure relief valve
- Enlarged suction port for viscous products
- All stainless steel bearing pedestal and cover
- Low carbon 316L pump head
- Tanker pump version for direct hydraulic drive



OPTIONS

SEALS

Front loaded single mechanical face type seals of hygienic design. Materials include carbon, stainless steel and silicon carbide.

Low pressure flushed seals utilize the same single mechanical seal with an additional housing. A low pressure flush liquid washes away crystallizing products or liquids which 'skin over'.

Double mechanical seals utilizing all the components from single seals. Used for hazardous, toxic, highly abrasive or sterile products.

Front loaded single O-Ring seals - a low cost seal option used primarily for self lubricating products and products which contain little or no abrasives.

Front loaded double O-Ring seals - suitable for pressurized grease or flushing with a suitable liquid to enable low cost sealing of high sugar confectionery and bakery products.

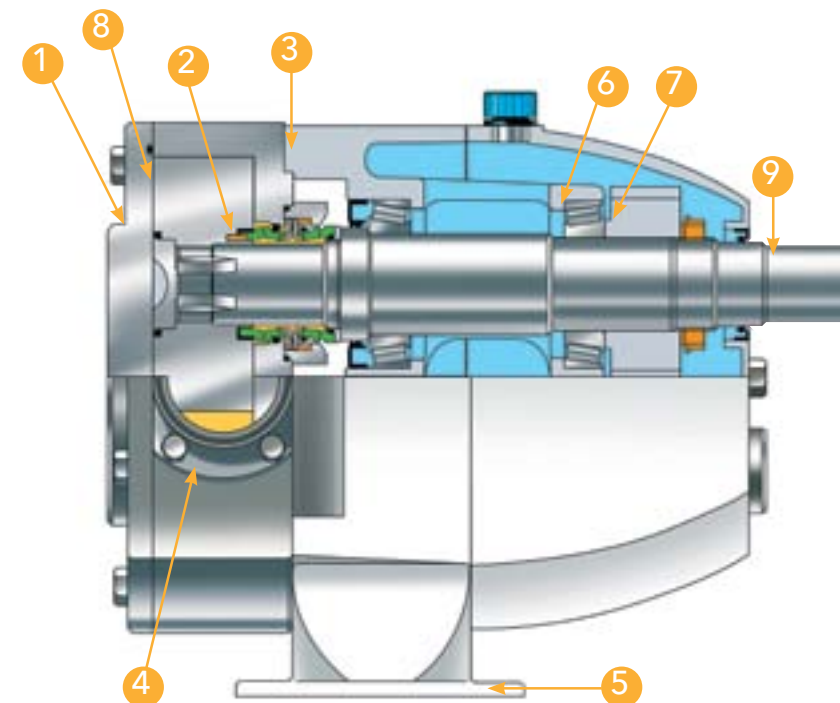
Multiple PTFE lip seal - complete with controlled release food grade grease injection system, the ideal sealing system for chocolate & other products sensitive to water flush.

HY~LINE

| Pump Model | LH32 | LH34 | LH42 | LH44 | LH52 | LH54 | LH62 | LH64 | LH72 | LH74 | LH76 | |
|-----------------------|---------------------|----------------|-------------|-----------------|----------------|-----------------|------------------|-------------------|-------------------|----------------|-------------------|------------------|
| Port Size | (mm) | 19 or 25 | 25 or 38 | 25 or 38 | 38 or 50 | 38 or 50 | 50 or 76 | 63 or 76 | 76 or 100 | 76 or 100 | 100 or 152 | 127 or 152 |
| | (inch) | 3/4 or 1 | 1 or 1 1/2 | 1 or 1 1/2 | 1 1/2 or 2 | 1 1/2 or 2 | 2 or 3 | 2, 2 1/2 or 3 | 3 or 4 | 3 or 4 | 4 or 6 | 5 or 6 |
| Displacement (litre) | | 3.5 | 7 | 12.3 | 20.4 | 26.5 | 45.5 | 64 | 95 | 123 | 205 | 301.5 |
| | (100 revs) (US gal) | 0.92 | 1.85 | 3.25 | 5.39 | 7.00 | 12.02 | 16.90 | 25.10 | 32.50 | 54.15 | 79.65 |
| Max Flow (litre) | | 52 | 105 | 123 | 204 | 265 | 455 | 461 | 684 | 836 | 1230 | 1809 |
| | (per min) (US gal) | 13.7 | 27.7 | 32.5 | 53.9 | 70.0 | 120.2 | 121.8 | 180.7 | 220.8 | 324.9 | 477.9 |
| Max Pressure (bar) | | 15 | 8 | 15 | 8 | 15 | 8 | 15 | 8 | 15 | 8 | 5 |
| | (psi) | 217 | 116 | 217 | 116 | 217 | 116 | 217 | 116 | 217 | 116 | 72 |
| Max Speed (RPM) | | 1500 | 1500 | 1000 | 1000 | 1000 | 1000 | 720 | 720 | 680 | 600 | 600 |
| | | | | | | | | | | | | |
| Size LxBxH (mm) | | 213x192x166 | 229x192x166 | 274x223x196 | 290x223x196 | 386x249x208 | 414x259x213 | 460x270x311 | 464x302x311 | 486x380x363 | 526x386x363 | 573x412x363 |
| | (inch) | 8.25x7.5x6.5 | 9x7.5x6.5 | 10.75x8.75x7.75 | 11.5x8.75x7.75 | 15.25x9.75x8.25 | 16.25x10.25x8.25 | 18.25x10.75x12.25 | 18.25x11.75x12.25 | 19.25x15x14.25 | 20.75x15.25x14.25 | 22.5x16.25x14.25 |
| Bareshaft Weight (kg) | | 8 | 10 | 18 | 20 | 32 | 35 | 61 | 65 | 125 | 145 | 165 |
| | (lbs) | 18 | 22 | 40 | 44 | 70 | 77 | 134 | 143 | 275 | 319 | 363 |
| Temp (°C) | | -30 to 140 | | | | | | | | | | |
| | (°F) | -22 to 284 | | | | | | | | | | |
| Viscosity (cP) | | 1 to 1 million | | | | | | | | | | |

CONSTRUCTION DETAILS

1. Flush fitting, sealed rotor retaining screws avoid build up of stagnant product as no end cover recesses are required and no product can get into the rotor drive.
2. Front mounted shaft seals for easy replacement and full accessibility of CIP liquids.
3. Rugged, high grade alloy bearing pedestal and housing for low weight and high strength, completely encased in epoxy coating.
4. Detachable ports for maximum flexibility in connection type and size. (Not on 3 & 7 size).
5. Removable feet allow quick change for pump mounting in the ideal orientation. (Not on 3 & 7 size).
6. High specification taper roller bearings give over one million hours life on a typical duty.
7. Precision cut spur gears for high load capability and ease of maintenance.
8. Fully interchangeable bi-wing rotors can be fitted without the need to re-time thus reducing downtime and allows pump to cope with a higher level of abuse.
9. Heavy duty shafts for high pressure capability.



Xylem |'zīləm|

- 1) The tissue in plants that brings water upward from the roots;
- 2) a leading global water technology company.

We're 12,000 people unified in a common purpose: creating innovative solutions to meet our world's water needs. Developing new technologies that will improve the way water is used, conserved, and re-used in the future is central to our work. We move, treat, analyze, and return water to the environment, and we help people use water efficiently, in their homes, buildings, factories and farms. In more than 150 countries, we have strong, long-standing relationships with customers who know us for our powerful combination of leading product brands and applications expertise, backed by a legacy of innovation.

For more information on how Xylem can help you, go to www.xyleminc.com

UK
Xylem, Inc.
Bingley Road, Hoddesdon
Hertfordshire EN11 OBU
Tel +44 (0).1992.450145
Fax +44 (0).1992.467132

GERMANY
Xylem, Inc.
Oststrasse 28
22844 Norderstedt
Tel +49.40.53.53.73.0
Fax +49.40.53.53.73.11

JAPAN
NHK Jabsco Company Ltd.
3-21-10, Shin-Yokohama
Kohoku-Ku, Yokohama,
222-0033
Tel +81.045.475.8906
Fax +81.04.477.1162

CHINA
Xylem, Inc.
30/F, Tower A Hongqiao
City Center of Shanghai
100 Zunyi Road, Shanghai
200051, China
Tel +86.21.2208.2888
Fax +86.21.2208.2999



USA
Xylem, Inc.
100 Cummings Center, Ste. 535-N,
Beverly, MA 01915
Tel +1.978.281.0440
Fax +1.978.283.2619
www.jabsco.com

Jabsco is a trademark of Xylem Inc. or one of its subsidiaries.
© 2013 Xylem, Inc. 950-0665 Rev B 01/13